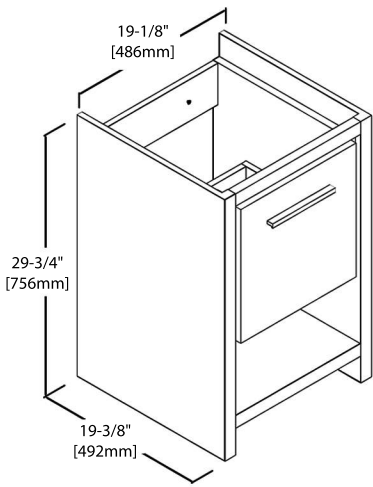
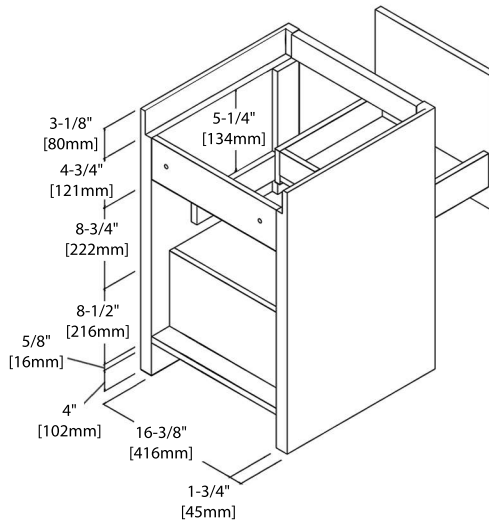


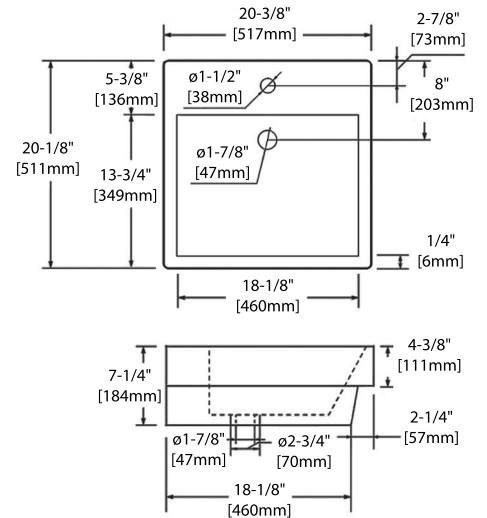
20" VANITY



V8014 20

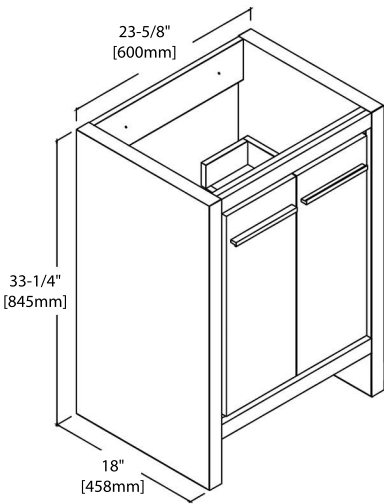


BACK VIEW

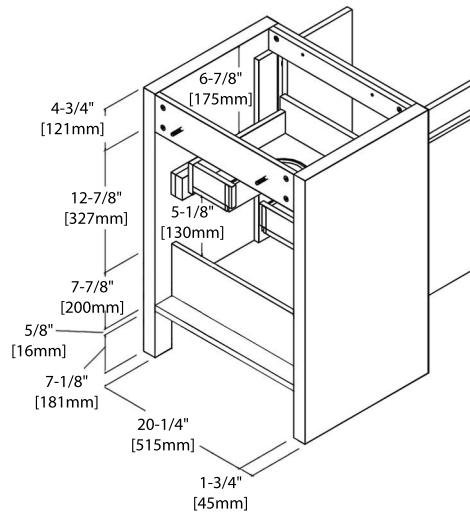


C04 2020

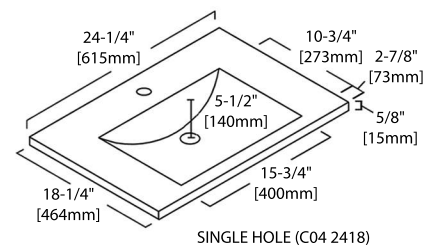
24" VANITY



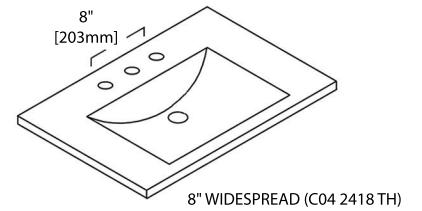
V8014 24



BACK VIEW

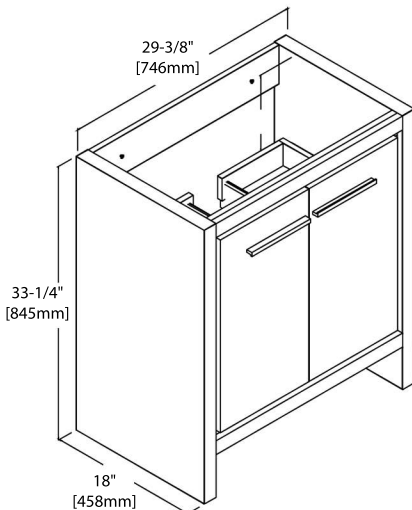


SINGLE HOLE (C04 2418)

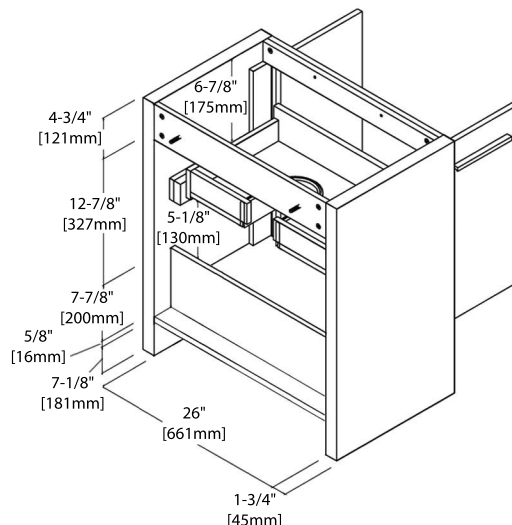


8" WIDESPREAD (C04 2418 TH)

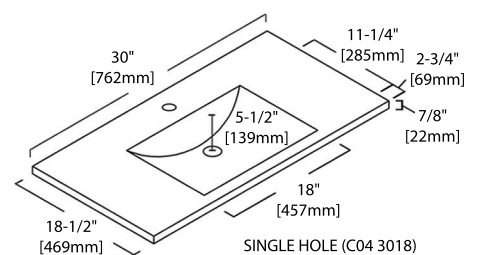
30" VANITY



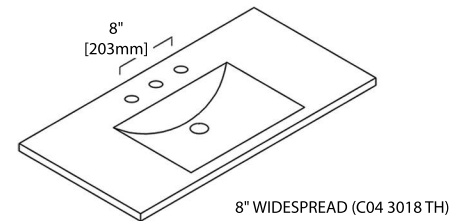
V8014 30



BACK VIEW

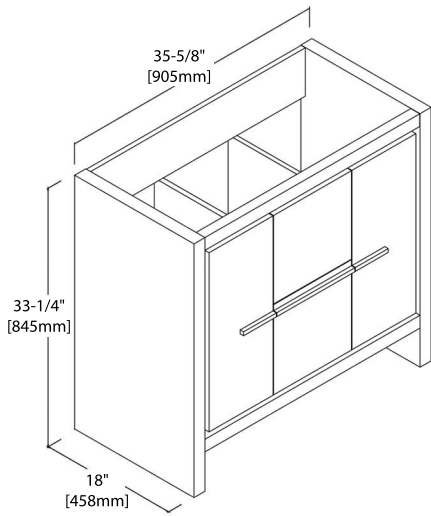


SINGLE HOLE (C04 3018)

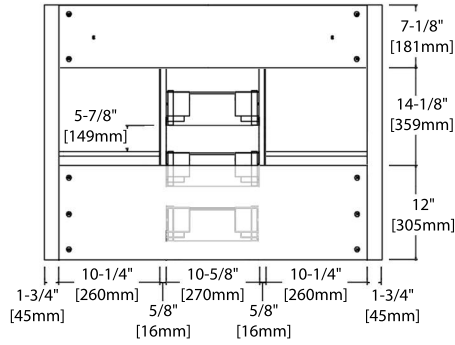


8" WIDESPREAD (C04 3018 TH)

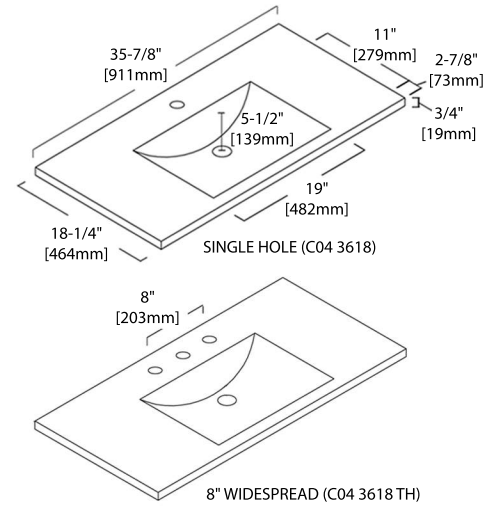
36" VANITY



V8014 36

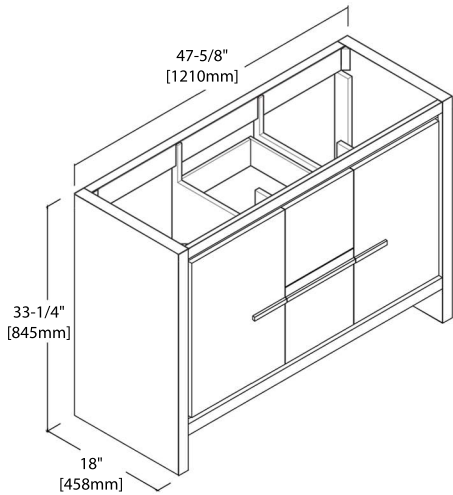


BACK VIEW

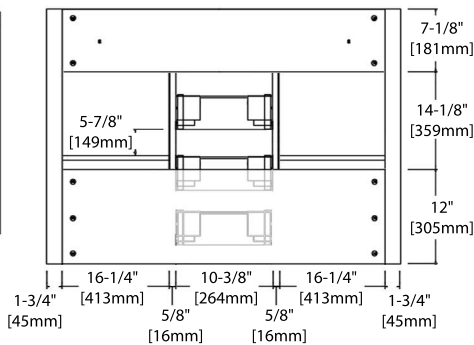


TOP-MOUNT CERAMIC BASIN

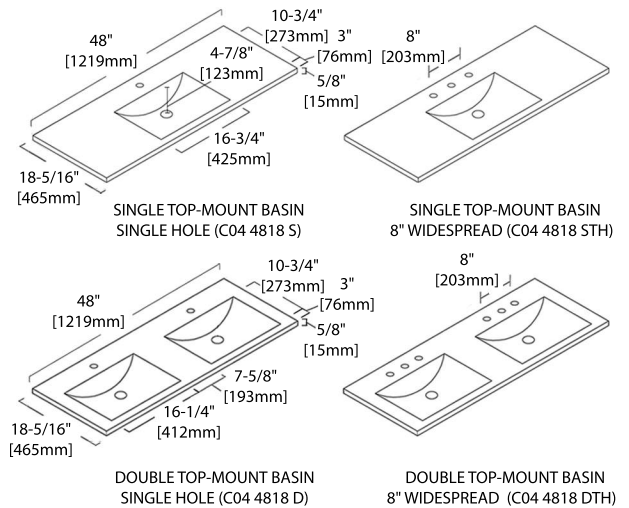
48" VANITY



V8014 48

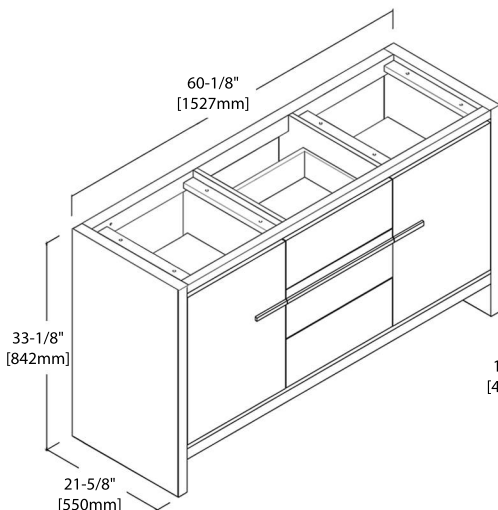


BACK VIEW

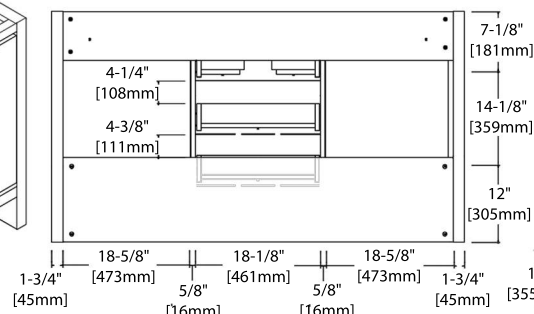


TOP-MOUNT CERAMIC BASIN

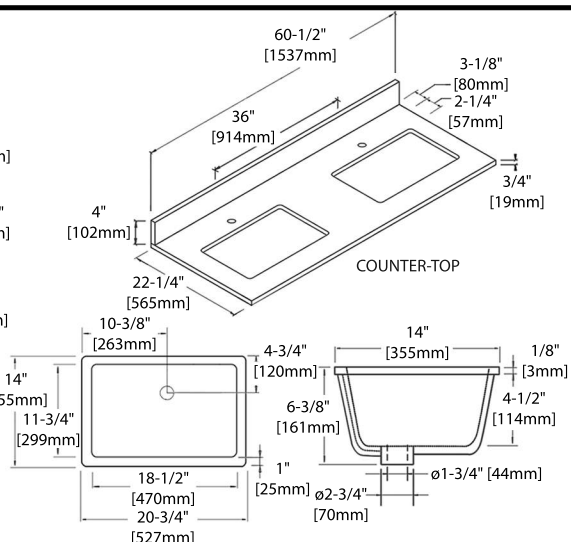
60" VANITY



V8014 60

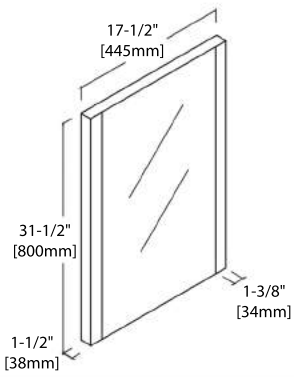


BACK VIEW

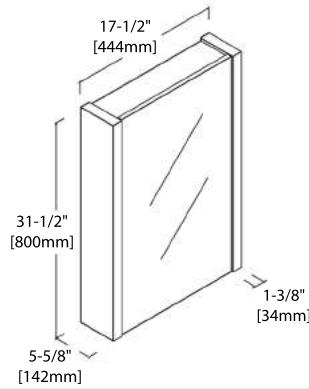


UNDERMOUNT BASIN - C09 2114

20" MIRROR / MEDICINE CABINET

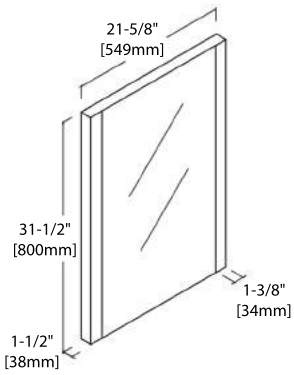


M6014 20

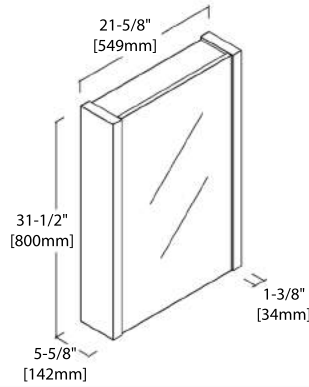


MC7014 20

24" MIRROR / MEDICINE CABINET

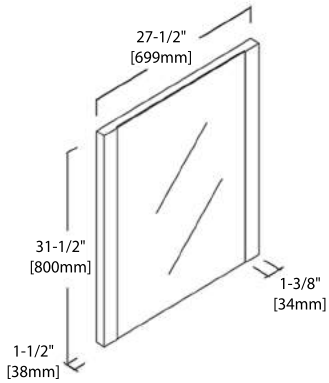


M6014 24

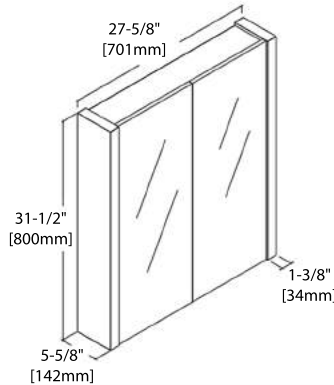


MC7014 24

30" MIRROR / MEDICINE CABINET

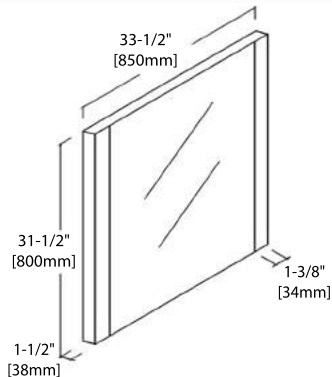


M6014 30



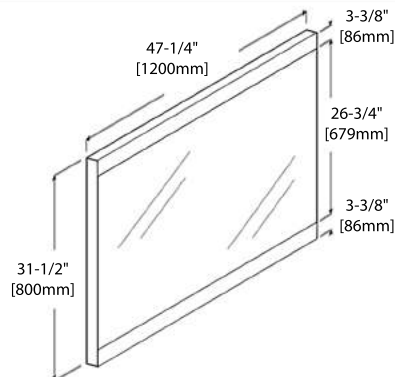
MC7014 30

36" MIRROR



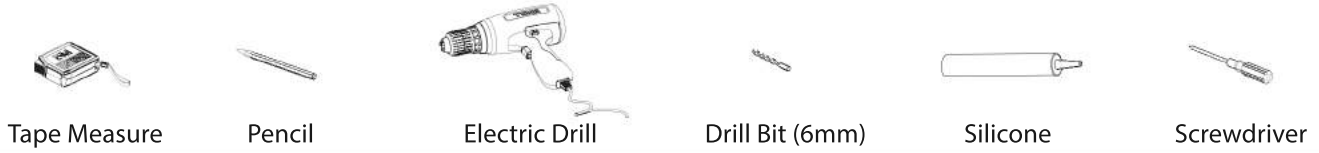
M6014 36

48" MIRROR



M6014 48

REQUIRED TOOLS



PARTS INCLUDED

